



REBREATHERS

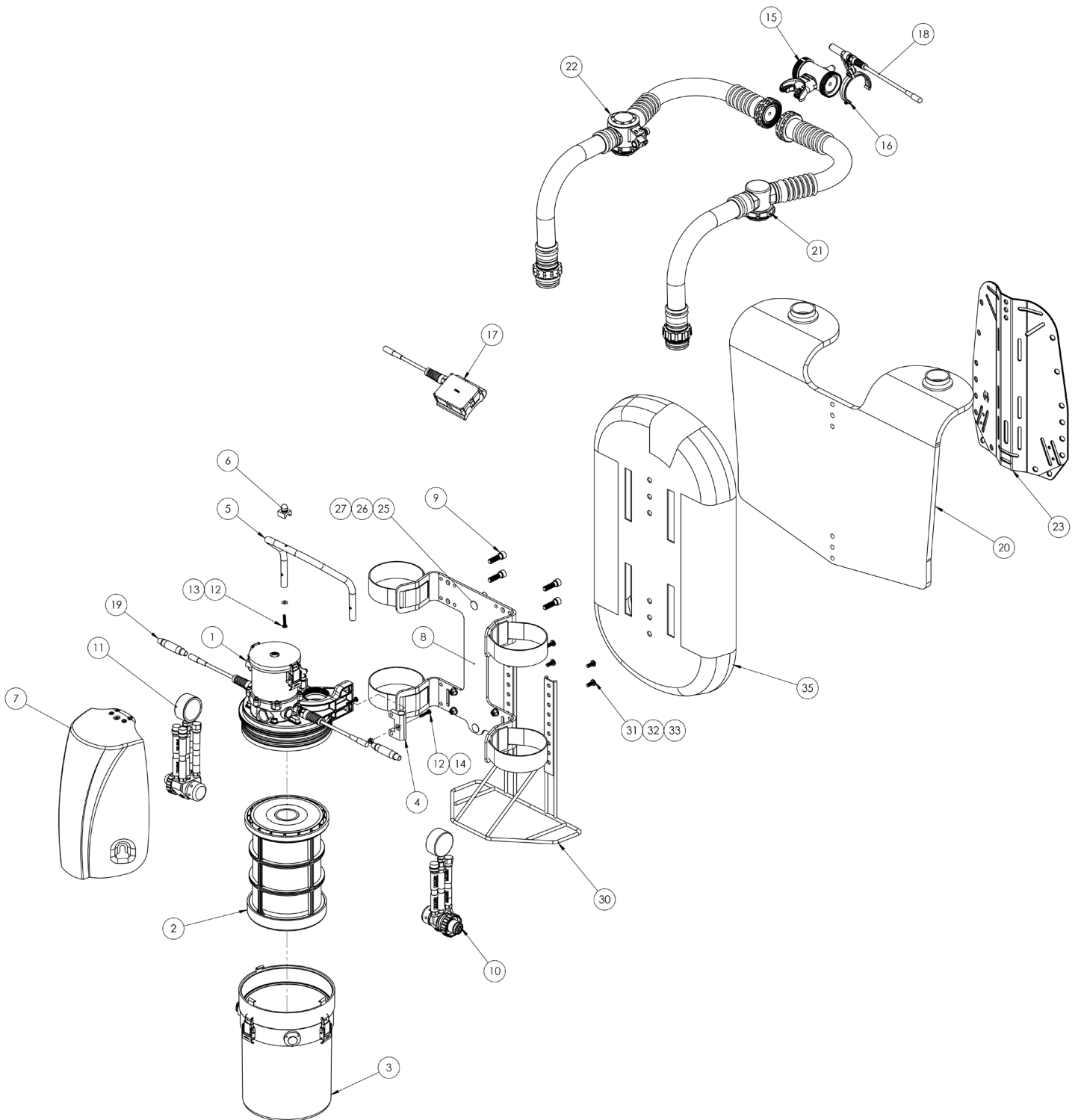


PRISM™ 2

AUTHORIZED DEALER PARTS & SERVICE GUIDE

All prices and part numbers subject to change without notice. Confirm price and part number at time of order. 04/22/2020

PRISM2 W/ BMCL

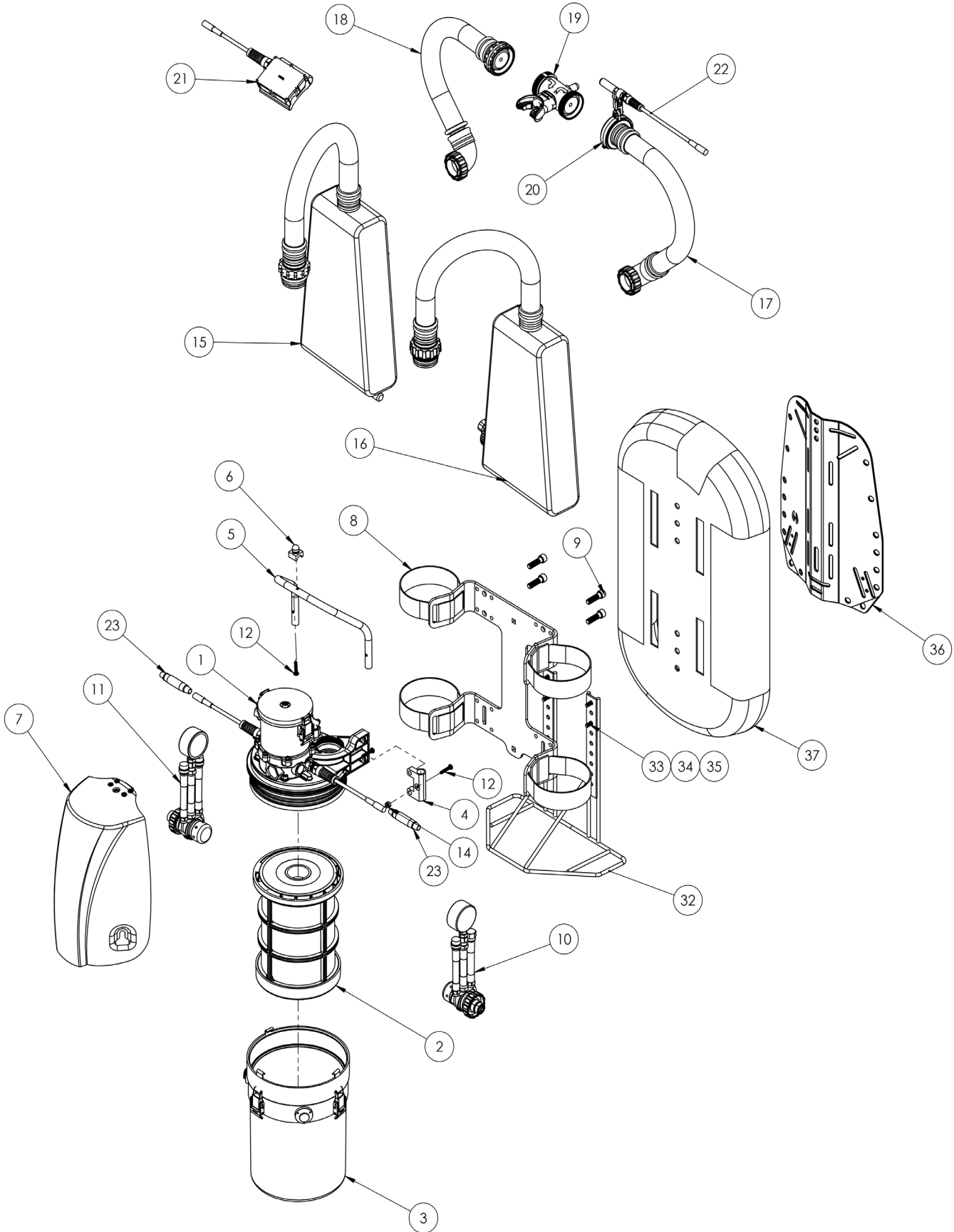


PRISM2 W/ BMCL

DIA.	P/N	DESCRIPTION	NOTES
1	29463	PRISM2 HEAD ASSEMBLY W/ PCB'S	W/OUT HANDSET & HUD
2	27755	SCRUBBER BASKET & CAP ASSEMBLY	
3	27985	BUCKET ASSEMBLY	
4	28224	NUT BAR	
5	28680	MOUNTING TUBE ASSEMBLY	
6	28217	MOUNTING POST COVER	
7	28681	COVER ASSEMBLY, PRISM2	
8	29229	H-PLATE ASSEMBLY	INCLUDES STRAPS
9	29228	SCREW, NYLON	*QTY: 4
10	27270	OXYGEN REGULATOR	INCLUDES HOSES & SPG
11	27271	DILUENT REGULATOR, 4 PORT	INLCUDES HOSES & SPG
12	28832	SCREW	
13	28834	WASHER	
14	24819	LOCK NUT	
15	27759	DIVE SURFACE VALVE (DSV)	
16	29237	HUD BRACKET ASSEMBLY	
17	26030	PETREL 2 HANDSET, DIVECAN	
18	26031	LED HUD, DIVECAN	
19	26097	LOCKING STRAIN RELIEF, DIVECAN	SOLD INDIVIDUALLY
20	26244	BMCL BLADDER ASSEMBLY	
21	26221	EXHALE TEE ASSEMBLY	
22	26227	INHALE ADV TEE ASSEMBLY, DSV	DSV Version
23	208.1295.000	STAINLESS STEEL BACKPLATE	
25	17977	BOLT, CARRIAGE, 5/16-18X1-1/4 SS	
26	17978	WING NUT	
27	24884	WASHER	
30	220.9009	PRISM2 STAND	
31	26247	SCREW 1/4-20 X .62	*QTY: 4
32	26249	WASHER FLAT 1/4	*QTY: 4
33	26248	NUT LOCKING 1/4-20	*QTY: 4
35	208.1253.045	C45LX WING	
N/S	26218	O2 MAV ASSEMBLY, BMCL	INCLUDES 14" LP HOSE
N/S	26219	DILUENT MAV ASSEMBLY, BMCL	INCLUDES 14" LP HOSE

**item sold individually, quantity represents how many are used*

PRISM2 W/ FMCL

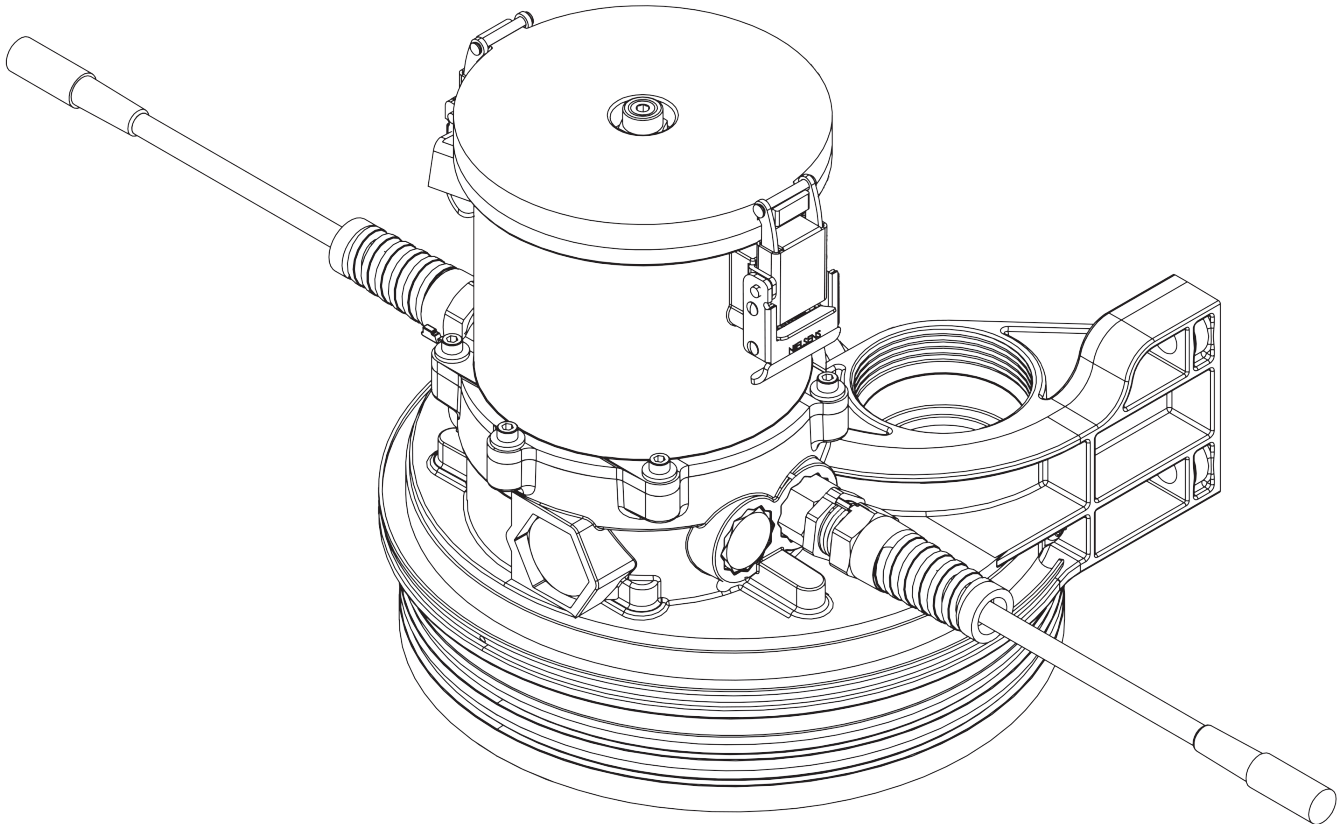


PRISM2 W/ FMCL

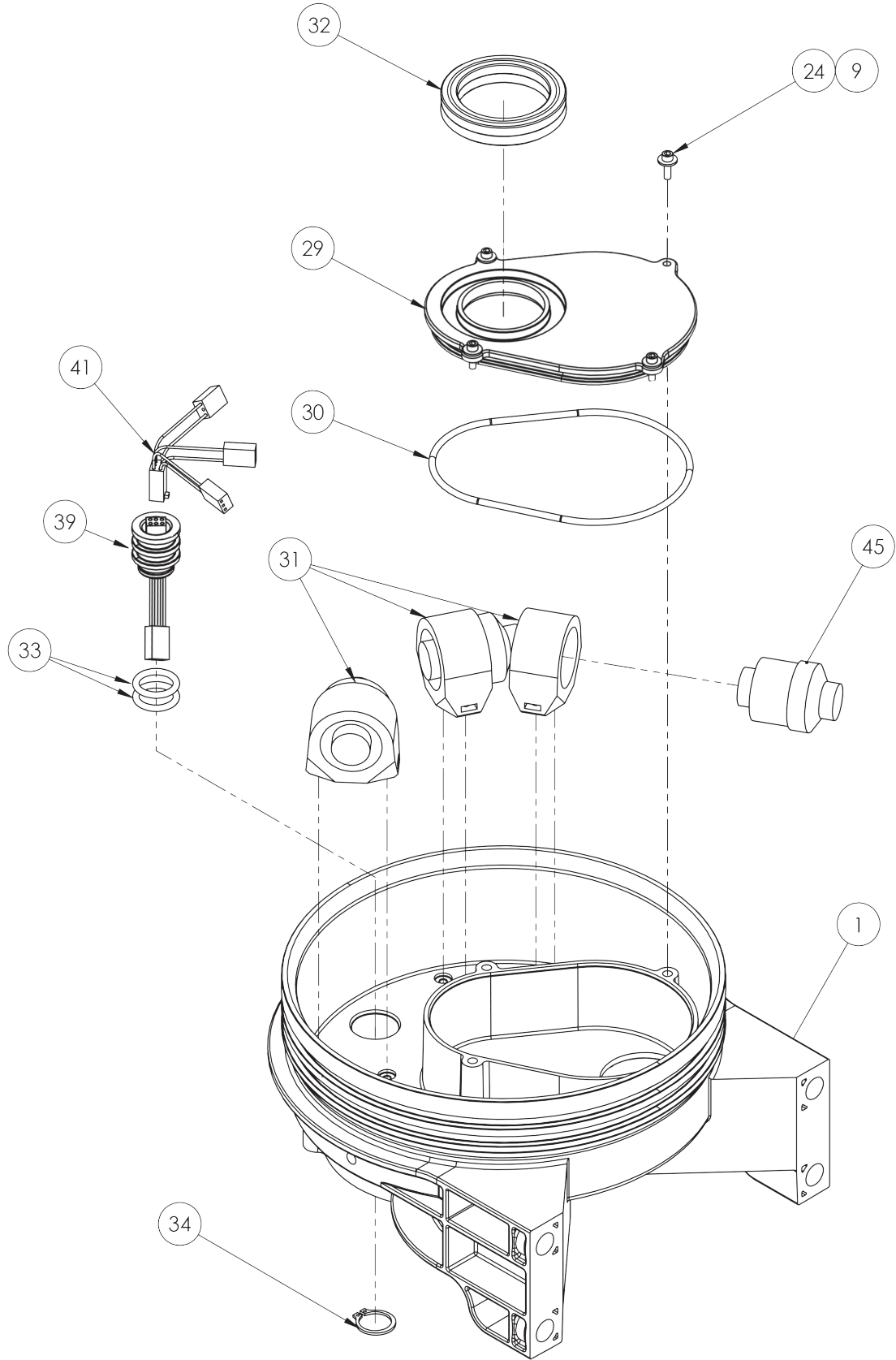
DIA.	P/N	DESCRIPTION	NOTES
1	29463	PRISM2 HEAD ASSEMBLY W/ PCB'S	W/OUT HANDSET & HUD
2	27755	SCRUBBER BASKET & CAP ASSEMBLY	
3	27985	BUCKET ASSEMBLY	
4	28224	NUT BAR	
5	28680	MOUNTING TUBE	
6	28217	MOUNTING POST COVER	
7	28681	COVER ASSEMBLY, PRISM2	
8	29229	H-FRAME ASSEMBLY	INCLUDES STRAPS
9	29228	SCREW, NYLON	*QTY: 4
10	27270	OXYGEN REGULATOR	INCLUDES HOSES & SPG
11	27271	DILUENT REGULATOR, 4 PORT	INCLUDES HOSES & SPG
12	28832	SCREW	
14	24819	LOCK NUT	
15	28764	INHALE COUNTERLUNG ASSY	INCLUDES ADV
16	28729	EXHALE COUNTERLUNG ASSY	INCLUDES MAV AND OPV
17	29225	EXHALE HOSE ASSY	
18	29226	INHALE HOSE ASSY	
19	27759	DIVE SURFACE VALVE (DSV)	
20	29237	HUD BRACKET ASSEMBLY, DSV	
21	26030	PETREL 2 HANDSET, DIVECAN	
22	26031	LED HUD, DIVECAN	
23	26097	LOCKING STRAIN RELIEF, DIVECAN	SOLD INDIVIDUALLY
32	220.9009	PRISM2 STAND	
33	26247	SCREW 1/4-20 X .62	*QTY: 4
34	26249	WASHER FLAT 1/4	*QTY: 4
35	26248	NUT LOCKING 1/4-20	*QTY: 4
36	208.1295.000	BACKPLATE, STAINLESS STEEL	
37	208.1253.045	C45 LX WING	

**item sold individually, quantity represents how many are used*

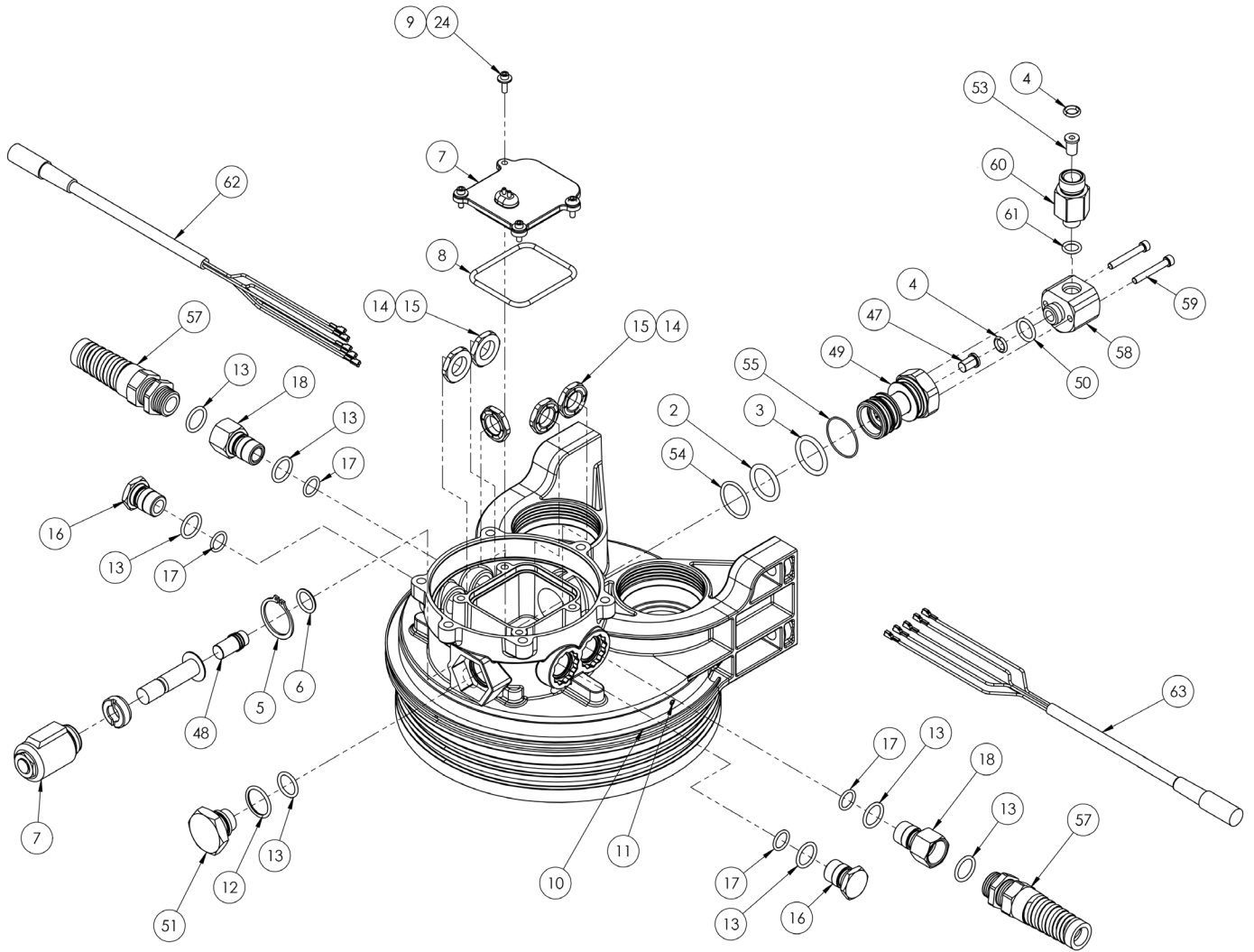
SCRUBBER HEAD - DIAGRAM 1



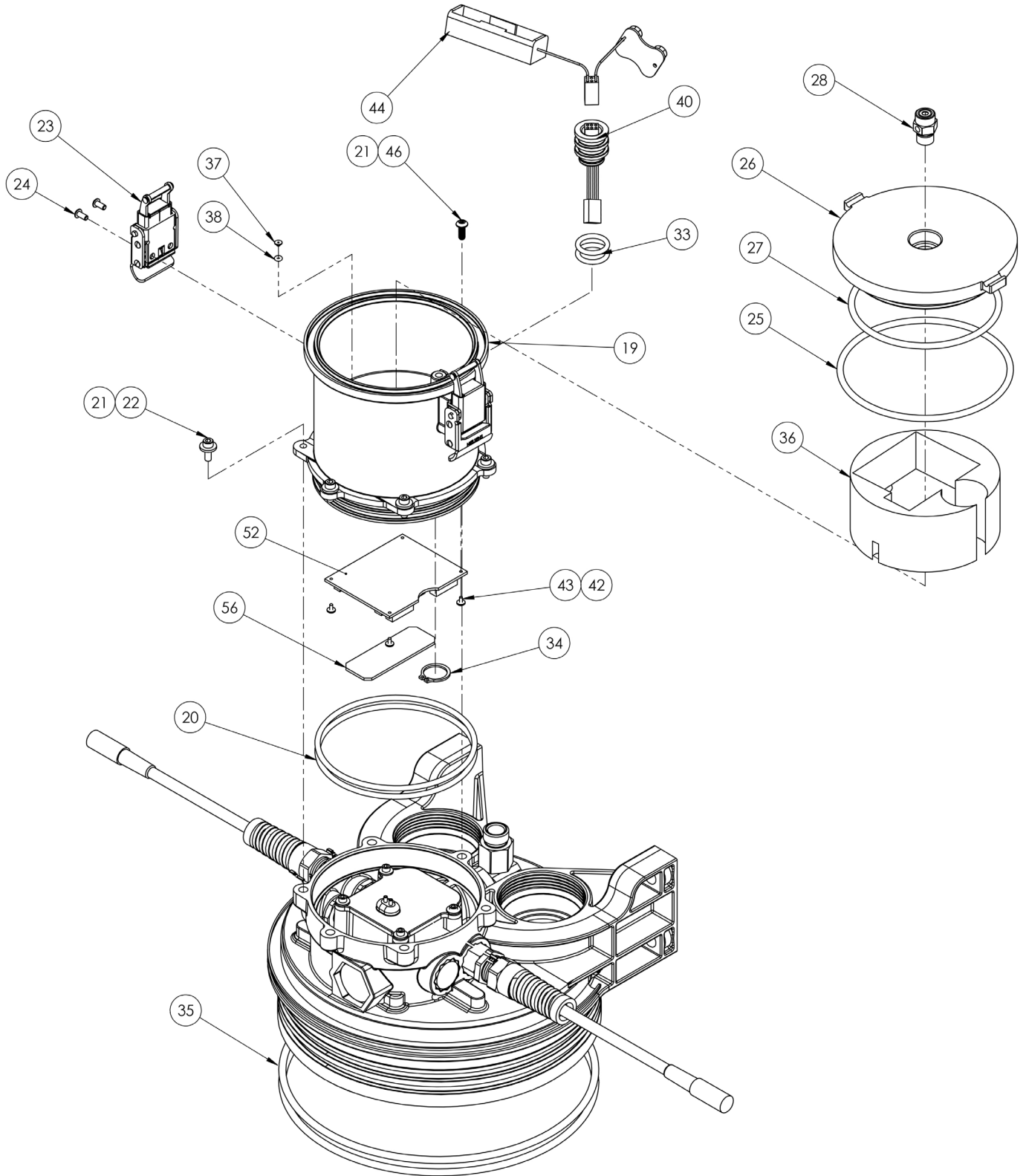
SCRUBBER HEAD - DIAGRAM 2



SCRUBBER HEAD - DIAGRAM 3



SCRUBBER HEAD - DIAGRAM 4



SCRUBBER HEAD

DIA.	P/N	DESCRIPTION	NOTES
1	27807	HEAD SUB-ASSEMBLY	
2	2.115	O-RING	
3	2.116	O-RING	
4	2.010	O-RING	*QTY. 2
5	27847	RETAINING RING	
6	2.013	O-RING	
7	27865	COVER ASSY, SOLENOID CHAMBER	
8	2.133	O-RING	
9	27569	WASHER 4-40	*QTY. 8
10	27816	LATCH KEEPER	
11	28084	SCREW, BTN HD, 6-32 X .25	*QTY. 4
12	2.016	O-RING	
13	2.014	O-RING	*QTY. 7
14	27447	WAVE WASHER	*QTY. 5
15	28212	THIN NUT	*QTY. 5
16	27867	PORT PLUG	*QTY. 2
17	2.012	O-RING	*QTY. 4
18	27852	ADAPTER, LUMBERG CONNECTOR	*QTY. 2
19	28676	ELECTRONICS HOUSING	
20	29664	O-RING	*QTY. 2
21	28085	WASHER	*QTY. 6
22	28083	SCREW, 6-32 X .375	*QTY. 5
23	27979	LATCH, BATTERY COVER	*QTY. 2
24	27651	SCREW, 4-40	*QTY. 4
25	2.239.50	O-RING	
26	28990s	ELECTRONICS COVER, STAINLESS	
27	2.235.50	O-RING	
28	29048	OP VALVE, PRISM2 HEAD	
29	27809	PLATE HEAD	
30	2.153	O-RING	
31	28683	HOLDER, OXYGEN SENSOR	
32	27810	SEAL, SCRUBBER BASKET	
33	2.113	O-RING	*QTY. 4
34	27872	RETAINING RING	*QTY. 2
35	29137	O-RING, RED	*QTY. 2

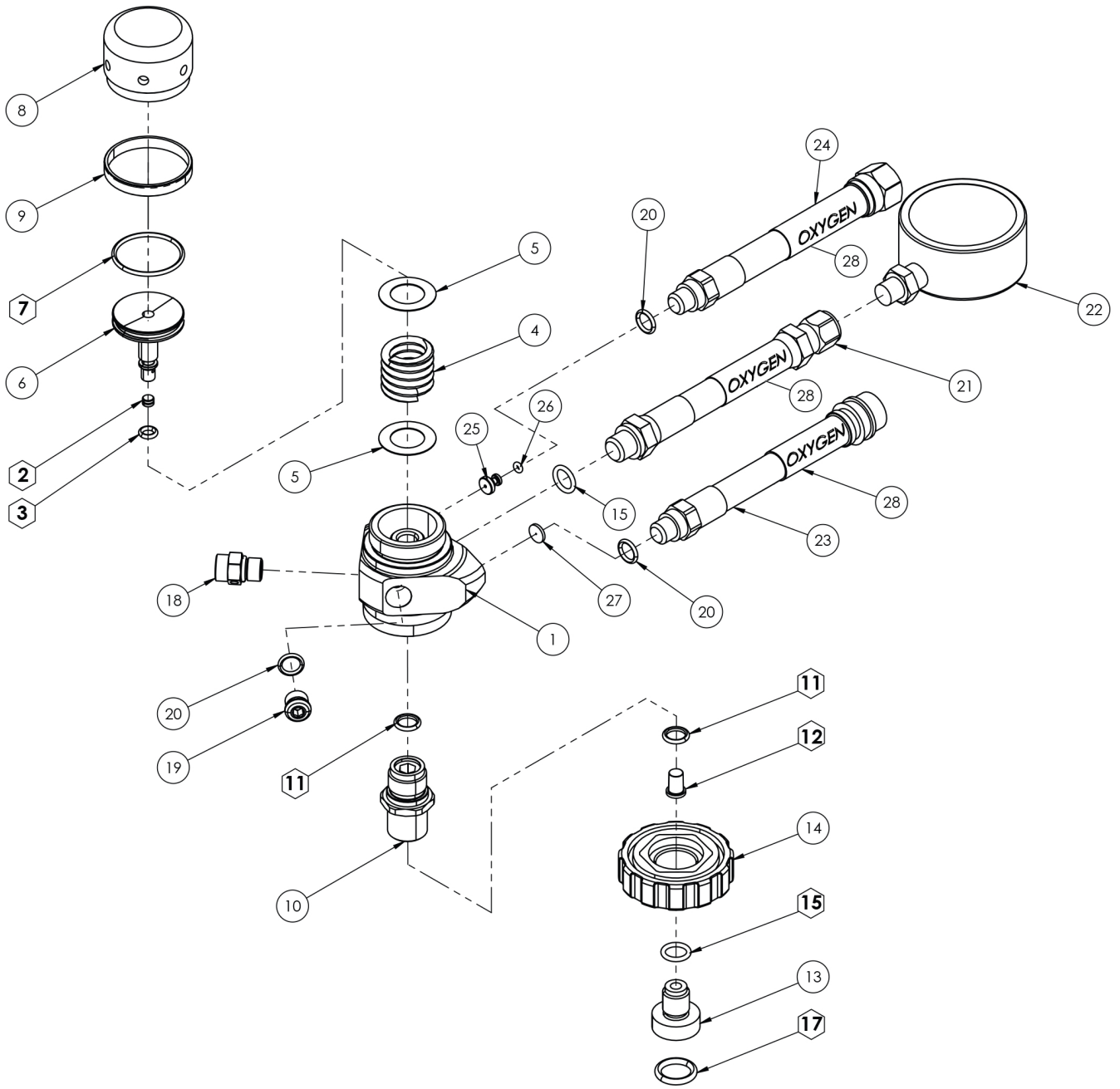
**item sold individually, quantity represents how many are used*

SCRUBBER HEAD

DIA.	P/N	DESCRIPTION	NOTES
36	28664	BATTERY NEST FOAM	
37	216823	PRESSURE PLUG	
38	2.003	O-RING	
39	29224	BULKHEAD CONNECTOR, OXY	
40	29223	BULKHEAD CONNECTOR, BATTERY	
41	29222	CABLE ASSY, OXYGEN SENSORS	
42	28363	WASHER	*QTY. 4
43	216510	SCREW	*QTY. 4
44	29221	CABLE ASSEMBLY, BATTERY	
45	220.9000	OXYGEN SENSOR	*QTY. 3
46	29138	SCREW, TAMPER	
47	25595	FILTER, 10 MICRON	
48	27949	POPPET ASSY, SOLENOID	
49	29448	SOLENOID FITTING	
50	3.905	O-RING	
51	29447	PLUG	
52	26033	PCB, OBOE V2	
53	6810	FILTER, 25 MICRON	
54	2.018	O-RING	
55	29464	O-RING	
56	26032	PCB, SOLO V2	
57	28478	STRAIN RELIEF FITTING	*QTY. 2
58	29543	SOLENOID END BLOCK	
59	29546	SCREW, 6-32 X 1.0 PATCHLOCK	*QTY. 2
60	28334	LP COUPLING	
61	3.903	O-RING	
62	29544	DIVECAN CABLE ASSY, GREEN	
63	29545	DIVECAN CABLE ASSY, BLUE	
64	28824	TERMINAL HOUSING, 6X	*QTY. 3
65	28824	SCREW	
N/S	29810	SOLENOID ASSEMBLY	COMPLETE SOLENOID
N/S	28353	SAAFT 3.6V AA LITHIUM BATTERY	
N/S	210015	9V ALKALINE BATTERY	*QTY. 2

**item sold individually, quantity represents how many are used*

PRISM2 OXYGEN REGULATOR

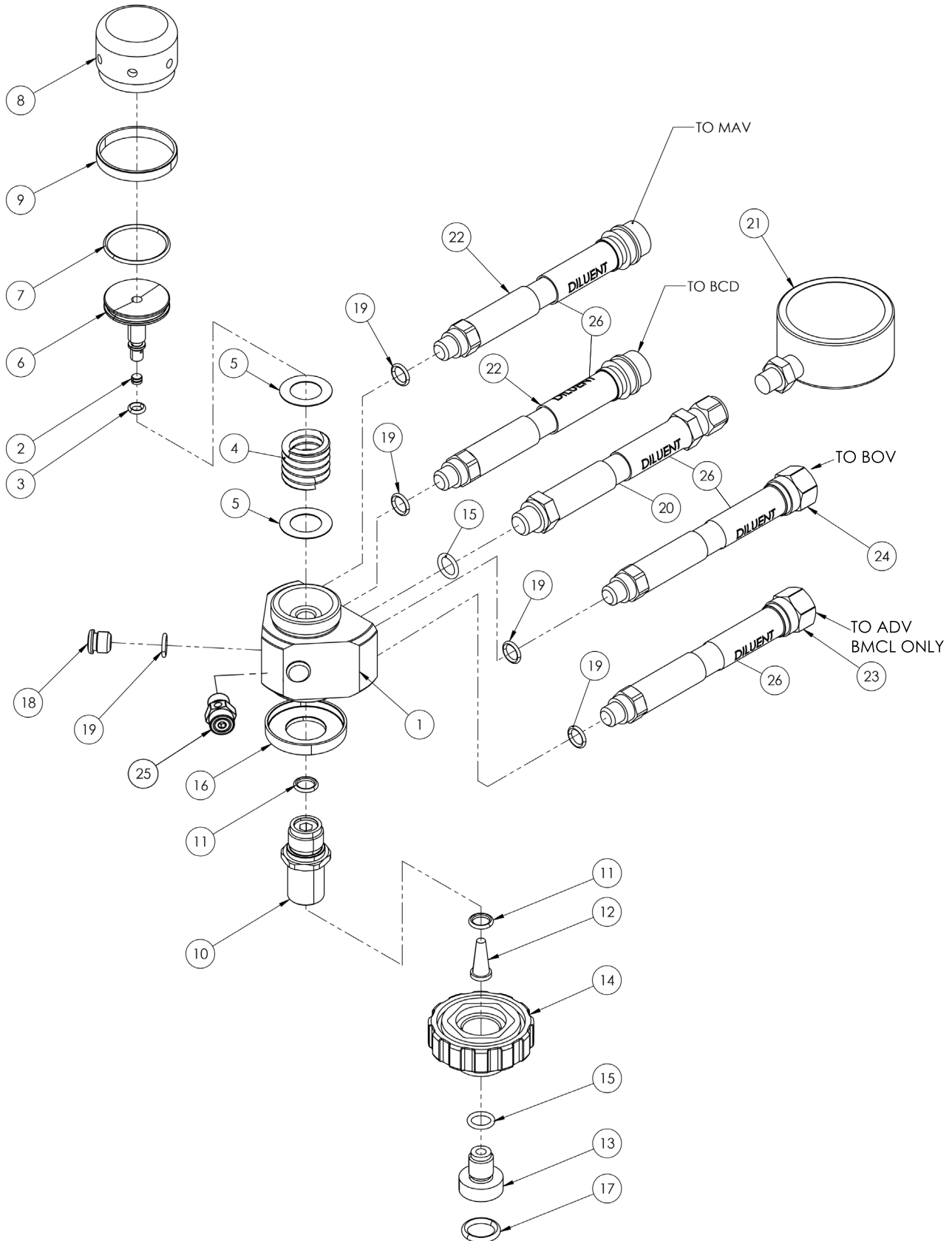


PRISM2 OXYGEN REGULATOR

DIA.	P/N	DESCRIPTION	NOTES
1	27800	BODY	
2	6850	HP SEAT	
3	V2.023	O-RING	
4	5272	SPRING	
5	5091.02	SHIM, .015 - PINK	*QTY as required for tuning
N/S	5091.01	SHIM, .005 - BLUE	*QTY as required for tuning
6	5083	PISTON	
7	V2.023	O-RING	
8	5224.2	END CAP	
9	5216.02	STYLING BAND, O2 GREEN	
10	5226	HOUSING, DIN FILTER	
11	V2.011	O-RING	*QTY: 2
12	4546	FILTER	
13	24544.200	DIN RETAINER	
14	6559.21.300	DIN WHEEL, GREEN	
15	V3.904	O-RING	
17	6374	O-RING	
18	240.3001	OPRV - FIRST STAGE	INCLUDES O-RING
19	3463	LP PORT PLUG	
20	V3.903	O-RING	
21	28843.41	HP HOSE, 41"	
22	204.2310	PRESSURE GAUGE, PSI	
N/S	204.2311	PRESSURE GAUGE, BAR	
23	28285.38	QD HOSE, 38"	
24	28125.23	LP HOSE, 23"	
25	28213	RESTRICTOR, OXYGEN	
26	V2.004	O-RING	
27	28341	ORIFICE, OXYGEN	
28	29784	OXYGEN GREEN HEATSHRINK	
N/S	6878	DUST CAP	
N/S	6896	STYLING CUP	

**item sold individually, quantity represents how many are used*

PRISM2 DILUENT REGULATOR

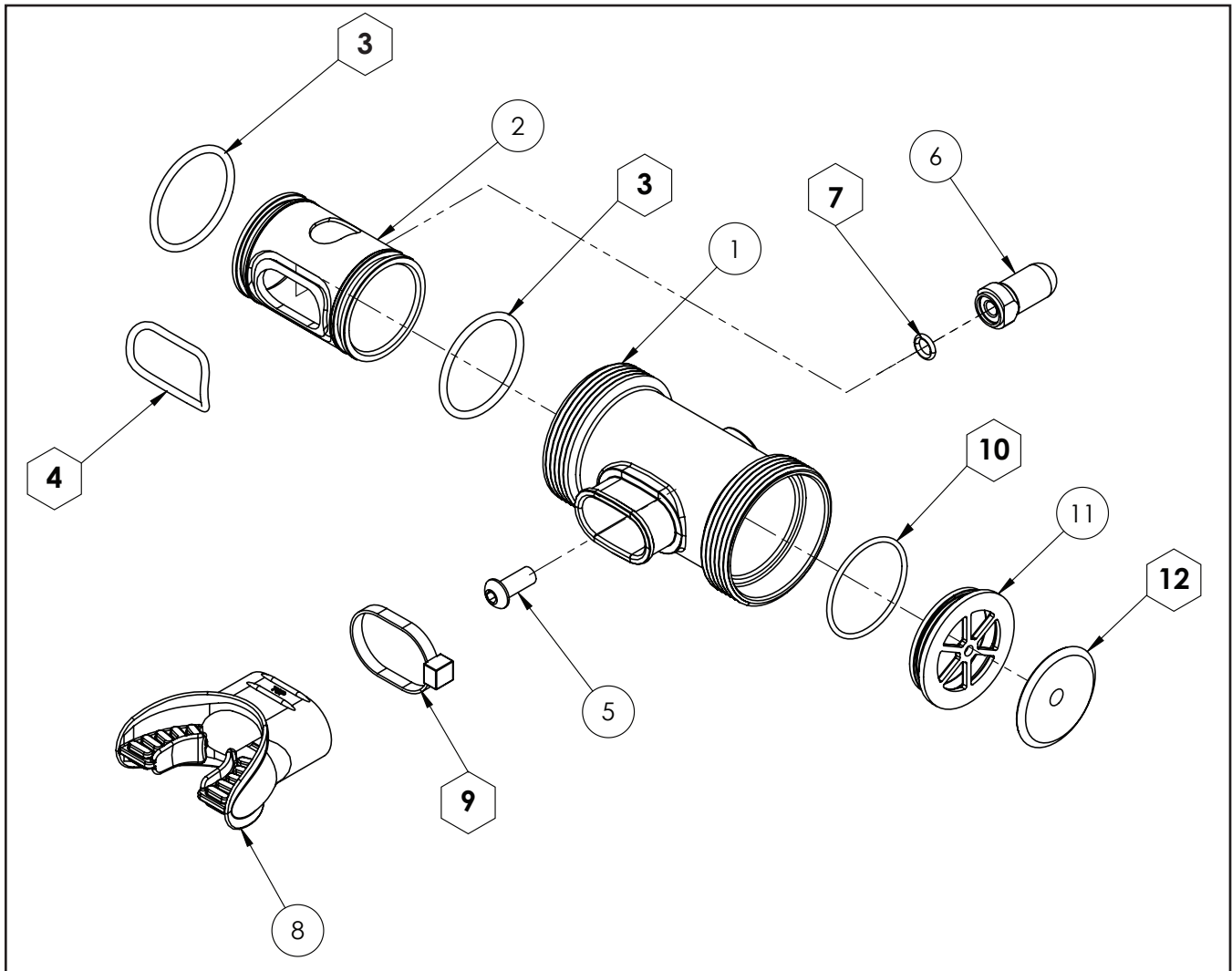


PRISM2 DILUENT REGULATOR

DIA.	P/N	DESCRIPTION	NOTES
1	29050	BODY, 4-PORT	
2	6850	HP SEAT	
3	V2.008	O-RING	
4	5272	SPRING	
5	5091.02	SHIM, .015 - PINK	*QTY as required for tuning
N/S	5091.01	SHIM, .005 - BLUE	*QTY as required for tuning
6	5083	PISTON	
7	V.023	O-RING	
8	5224.2	END CAP	
9	5216.04	STYLING BAND, BLACK	
10	5226	HOUSING, DIN FILTER	
11	V2.011	O-RING	*QTY: 2
12	4546	FILTER	
13	24544.200	DIN RETAINER	
14	6559.300	DIN WHEEL, BLACK	
15	V3.904	O-RING	
16	6896	STYLING CUP	
17	6374	O-RING	
18	3463	LP PORT PLUG	
19	V3.903	O-RING	
20	28843.41	HP HOSE, 41"	
21	204.2310	PRESSURE GAUGE, PSI	
N/S	204.2311	PRESSURE GAUGE, BAR	
22	28285.38	QD HOSE, 38"	
23	28125.30	LP HOSE, 30"	BMCL ONLY
24	16931.046	46" MAX FLOW HOSE, BK	BOV ONLY
25	240.3001	OPRV - FIRST STAGE	
26	26230	DILUENT BLUE HEAT SHRINK	
N/S	6878	DUST CAP	

**item sold individually, quantity represents how many are used*

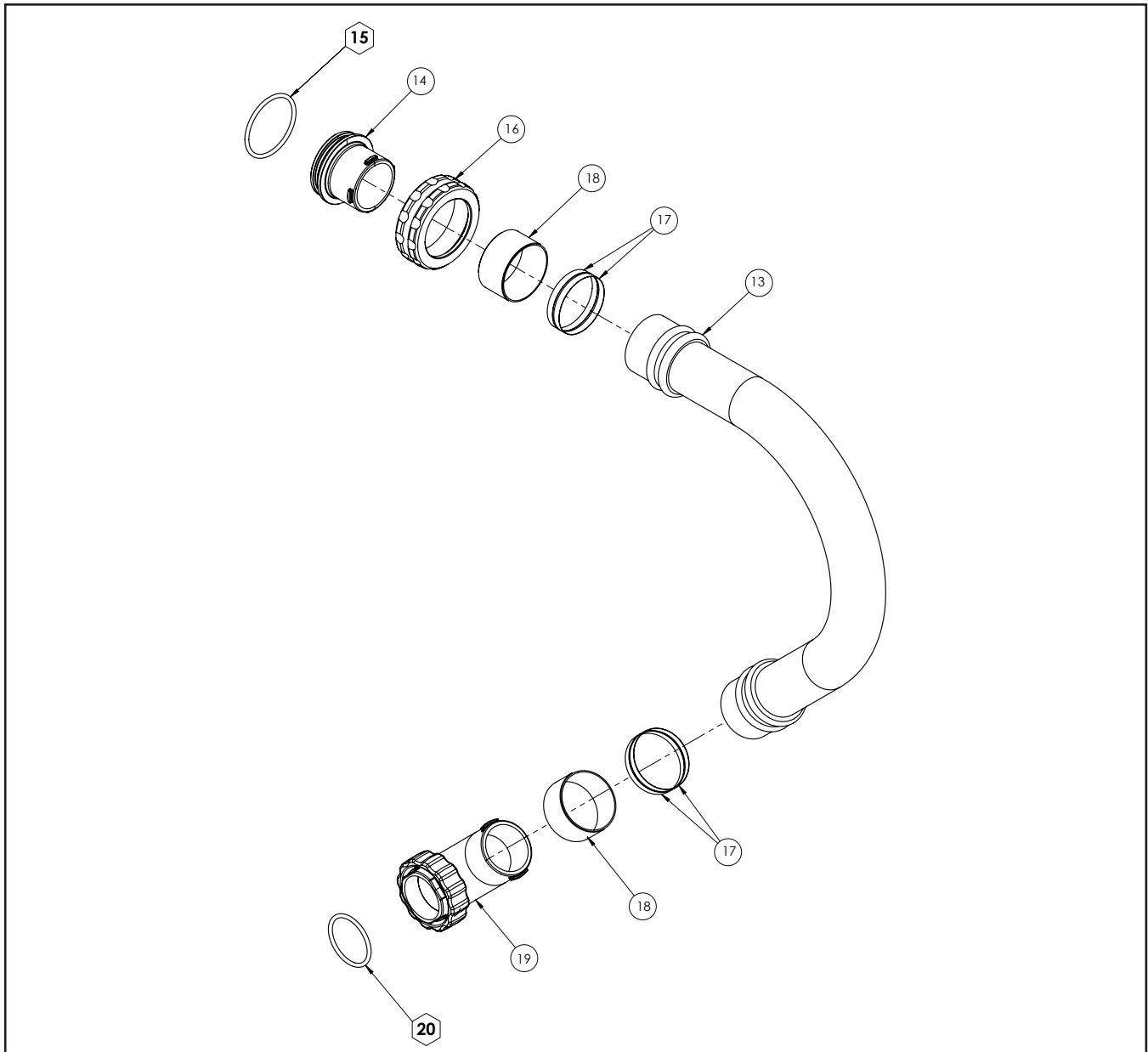
DIVE SURFACE VALVE (DSV)



DIA.	P/N	DESCRIPTION	NOTES
1	27762	BODY, DSV	
2	27760	BARREL	
3	2.126	O-RING	*QTY: 2
4	29136	O-RING	
5	27350	SCREW	
6	27761	KNOB	
7	2.010	O-RING	
8	7031.07	MOUTHPIECE, BLACK	
9	1978.07	TIE-STRAP	
10	2.028	O-RING	
11	27763	HOLDER, OUTLET	
12	27765	MUSHROOM VALVE	

**item sold individually, quantity represents how many are used*

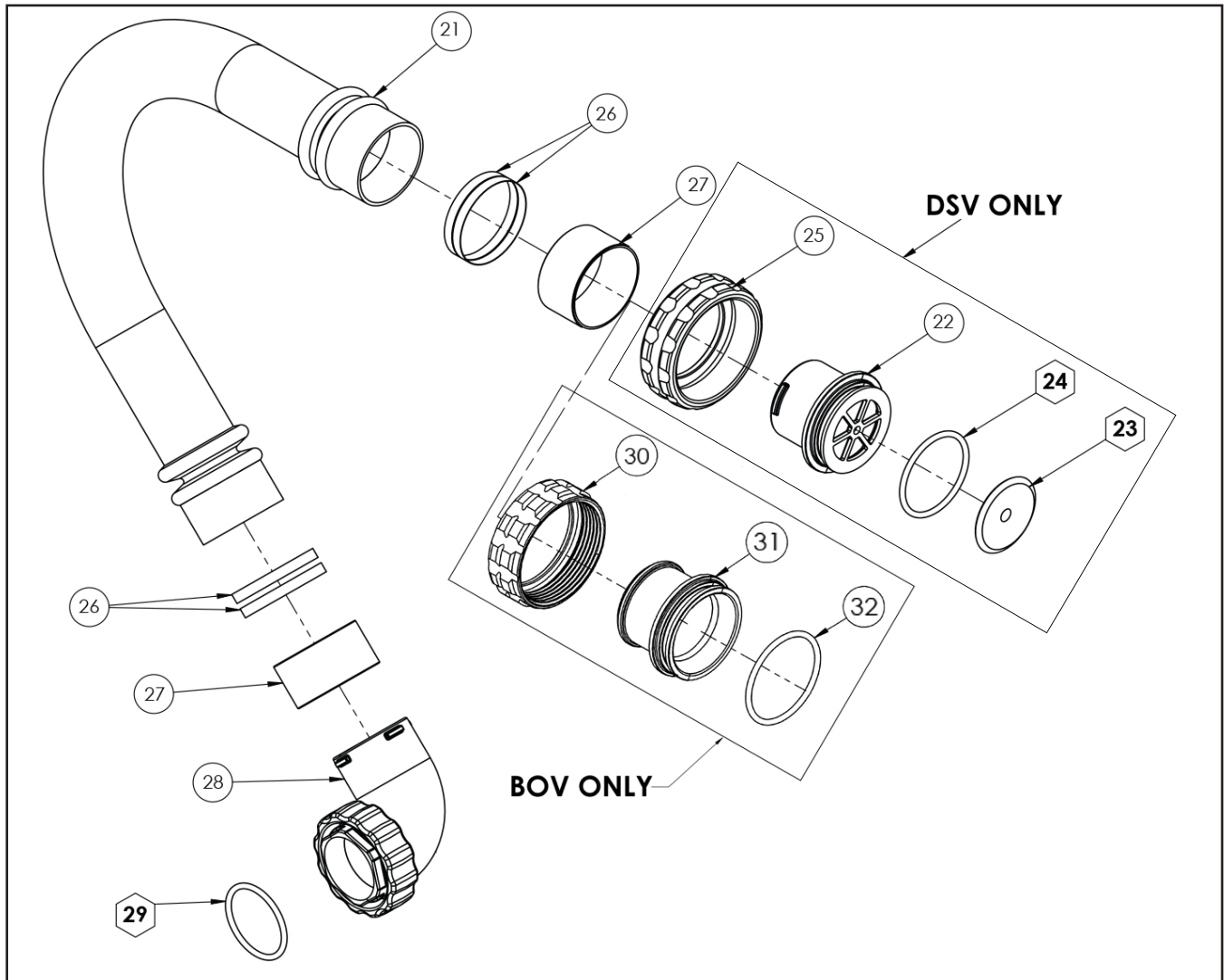
EXHALE HOSE ASSEMBLY, FMCL



DIA.	P/N	DESCRIPTION	NOTES
13	28330	BREATHING HOSE, 14"	
14	27768	ADAPTER, HOSE OUTLET	
15	2.130	O-RING	
16	27766	NUT	
17	28333	HOSE CLAMP	*QTY: 4
18	28364.07	COVER, HOSE CLAMP	*QTY: 2
19	27805	ELBOW ASSY, EXHALE	
20	2.125	O-RING	

**item sold individually, quantity represents how many are used*

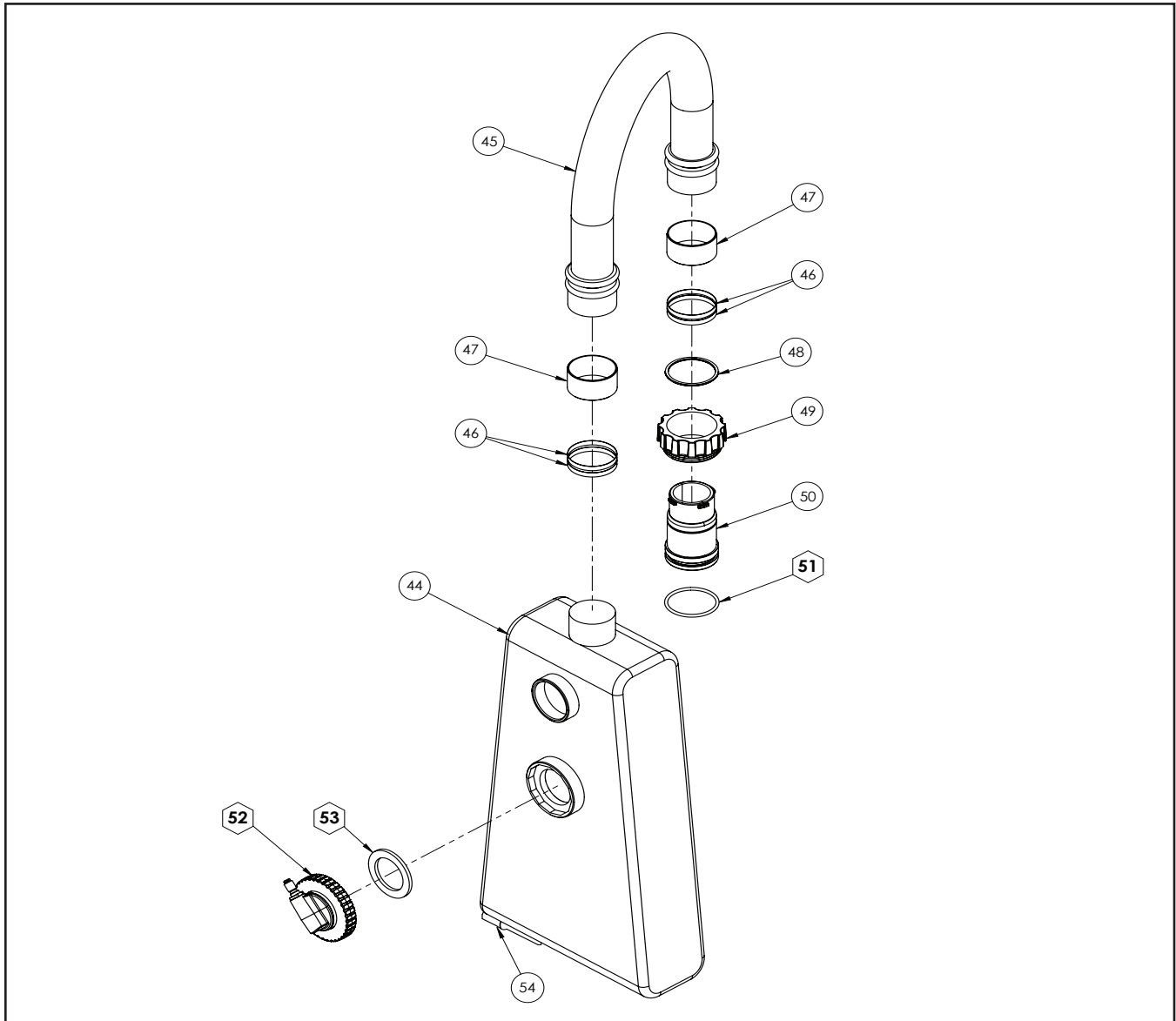
INHALE HOSE ASSEMBLY, FMCL



<u>DIA.</u>	<u>P/N</u>	<u>DESCRIPTION</u>	<u>NOTES</u>
21	28330	BREATHING HOSE, 14"	
22	27764	HOLDER, INLET	
23	27765	MUSHROOM VALVE	
24	2.128	O-RING	
25	27766	NUT	
26	28333	CLAMP	*QTY: 4
27	28364.07	COVER, HOSE CLAMP	*QTY: 2
28	27806	ELBOW ASSY, INHALE	
29	2.125	O-RING	
30	25399	NUT, BOV	
31	27768	ADAPTER, HOSE OUTLET	
32	2.130	O-RING	

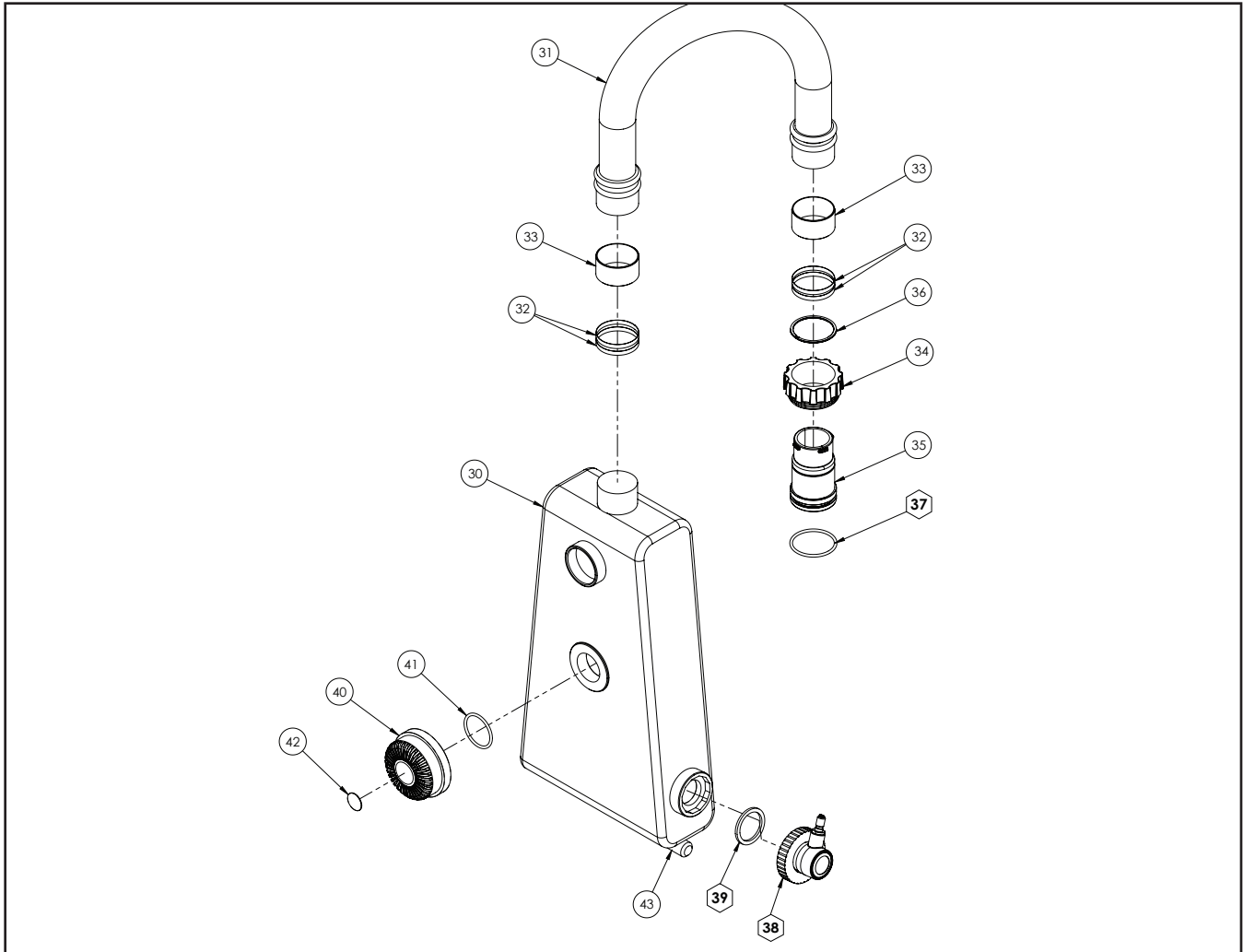
**item sold individually, quantity represents how many are used*

INHALE COUNTERLUNG ASSEMBLY, FMCL



DIA.	P/N	DESCRIPTION	NOTES
44	28134	COUNTERLUNG, INHALE	
45	28330	BREATHING HOSE, 14"	
46	28333	CLAMP	*QTY: 4
47	28364.07	COVER, HOSE CLAMP	*QTY: 2
48	28992	RETAINING RING	
49	27813	NUT, BREATHING HOSE, REVERSE THREAD, WHITE	CE VERSION
50	27770	ADAPTER, HOSE	
51	29235	O-RING	
52	29293	SWIVEL DILENT ADV	
53	28080	GASKET	
54	23237	ORAL VALVE, METAL	

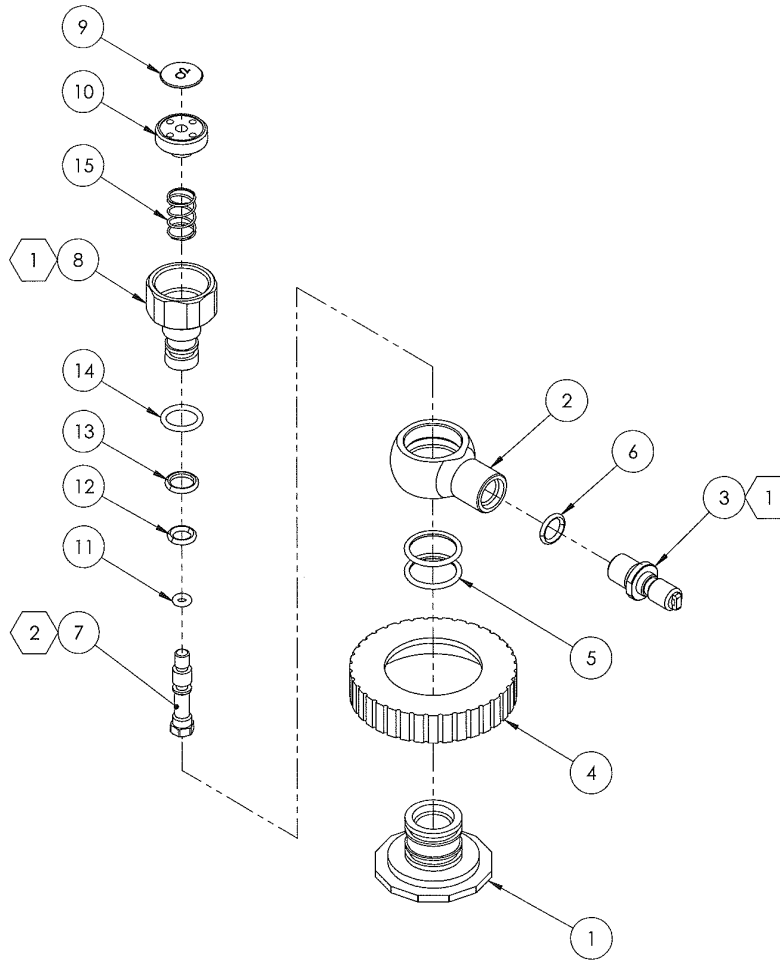
EXHALE COUNTERLUNG ASSEMBLY, FMCL



DIA.	P/N	DESCRIPTION	NOTES
30	28133	COUNTERLUNG, EXHALE	
31	28330	HOSE, BREATHING	
32	28333	CLAMP	*QTY. 2
33	28364.07	COVER, HOSE CLAMP	*QTY. 2
34	27813	NUT, BREATHING HOSE	
35	27770	ADAPTER, HOSE	
36	28992	RETAINING RING	
37	29235	O-RING	
38	8036-H	O2 ADD VALVE ASSEMBLY	
39	219045	GASKET	
40	24664	EXHAUST VALVE	
41	2.125	O-RING	
42	24558	HOLLIS LOGO, BUTTON STICKER	
43	23237	ORAL VALVE, METAL	

**item sold individually, quantity represents how many are used*

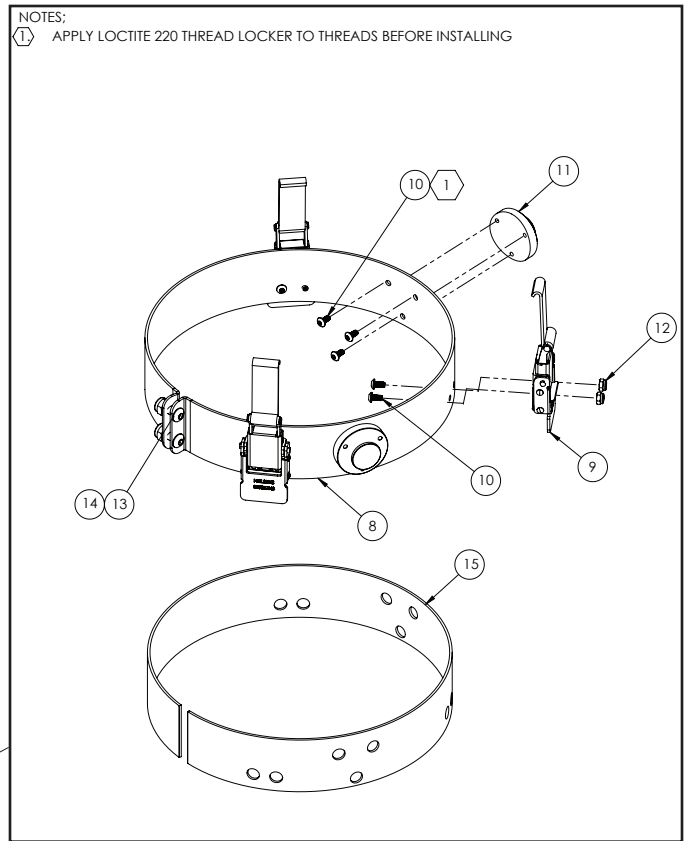
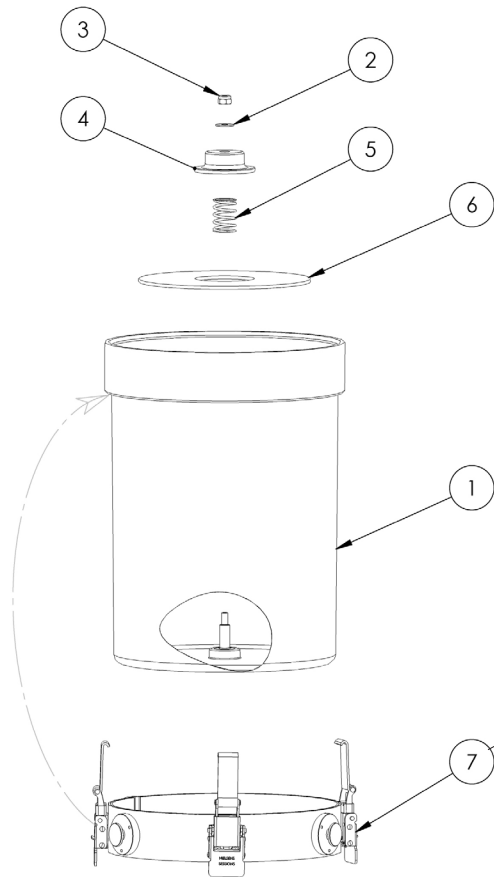
O2 ADD VALVE ASSEMBLY, FMCL



DIA.	P/N	DESCRIPTION	NOTES
1	8034	O2 ADD HOUSING	
2	8035	BANJO FITTING O2 ADD VALVE	
3	219736	QD NIPPLE	
4	219051	NUT HOUSING	
5	V2.016	O-RING VITON	*QTY. 2
6	3.903	O-RING 3-903	
7	29894	BUTTON SPOOL	
8	29891	VALVE BODY O2	
9	8039	LABEL, O2	
10	29893	BUTTON VALVE	
11	V2.006	O-RING VITON	
12	V2.010	O-RING VITON	
13	V2.011	O-RING VITON	
14	3.905	O-RING	
15	8038	SPRING	

**item sold individually, quantity represents how many are used*

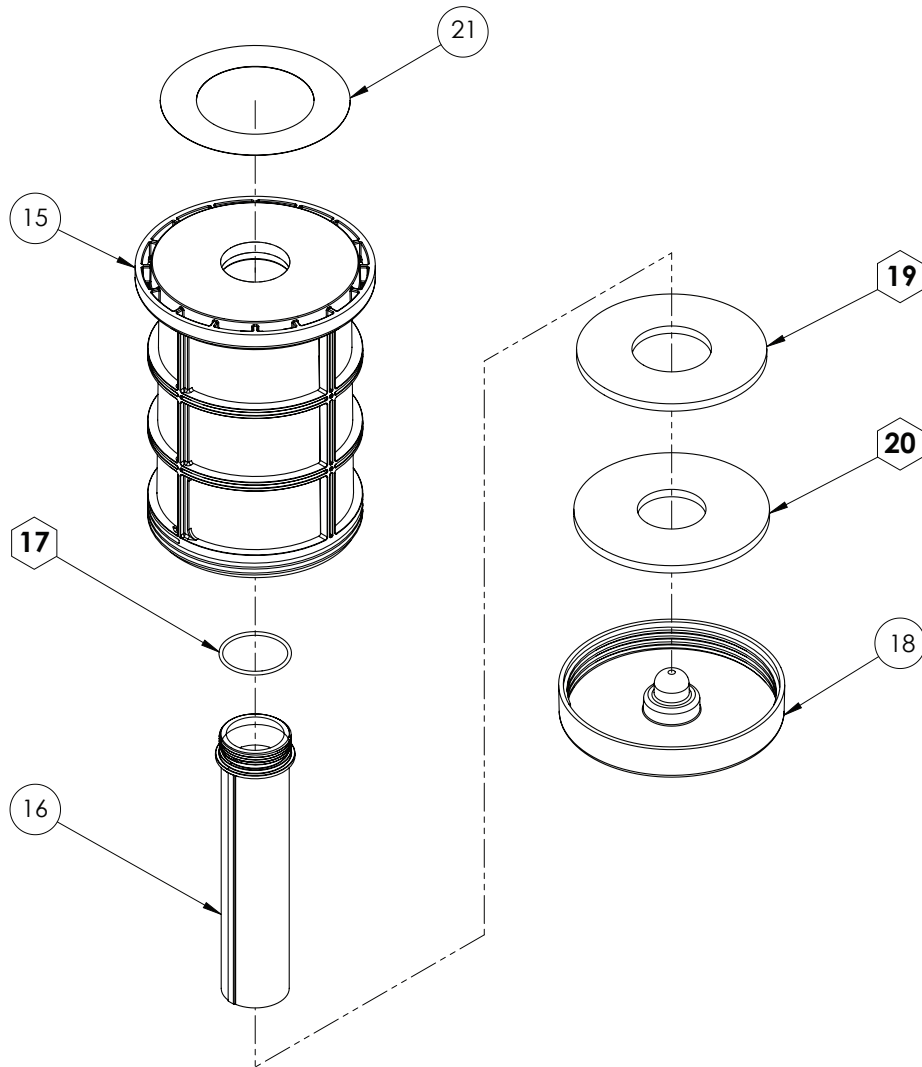
SCRUBBER BUCKET ASSEMBLY



DIA.	P/N	DESCRIPTION	NOTES
1	27986	BUCKET & STUD ASSY.	
2	24817	WASHER	
3	24819	LOCKNUT	
4	28354	PAD, SPRING	
5	28355	SPRING, BUCKET	
6	29227	SPONGE PAD	
7	27983	BAND ASSEMBLY	COMPLETE W/ LATCHES
8	27984	BAND, BUCKET	
9	29644	LATCH	*QTY: 3
10	28847	SCREW, BUTTON HEAD	*QTY: 12
11	28220	MOUNTING POST	
12	24336	LOCKING NUT	*QTY: 6
13	24818	SCREW, BUTTON HEAD	*QTY: 2
14	24819	LOCKNUT	*QTY: 2

**item sold individually, quantity represents how many are used*

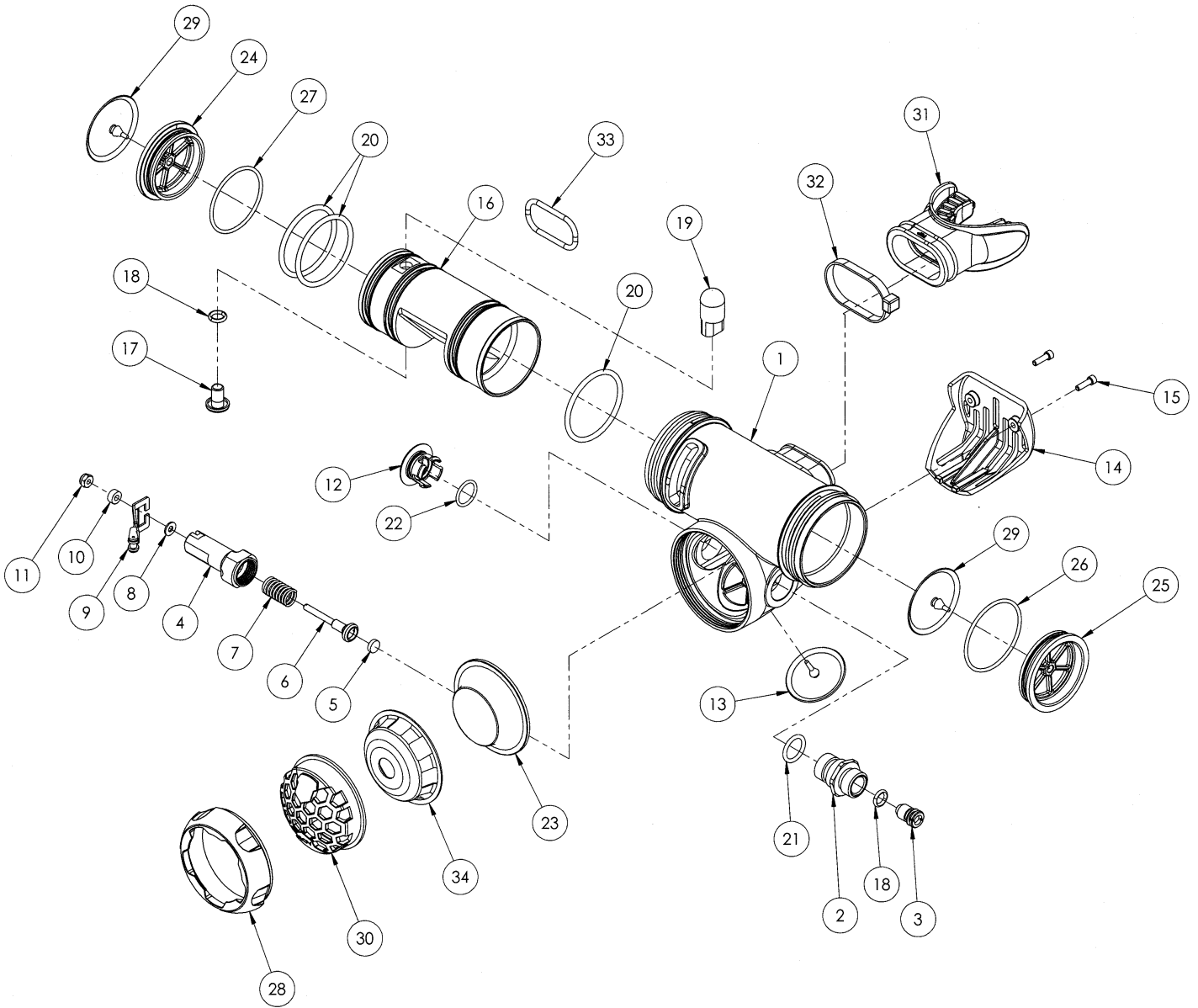
SCRUBBER BASKET ASSEMBLY



DIA.	P/N	DESCRIPTION	NOTES
15	27749	SCRUBBER BASKET, OUTER	
16	27751	SCRUBBER BASKET, INNER	
17	2.133	O-RING	
18	27756	SCRUBBER CAP	
19	27869	FOAM PAD, UPPER	
20	27908	FOAM PAD, LOWER	
21	28977	DECAL, THIS END UP	
N/S	27755	SCRUBBER BASKET & CAP ASSEMBLY	COMPLETE ASSEMBLY

**items sold individually, quantity represents how many are used*

BOV

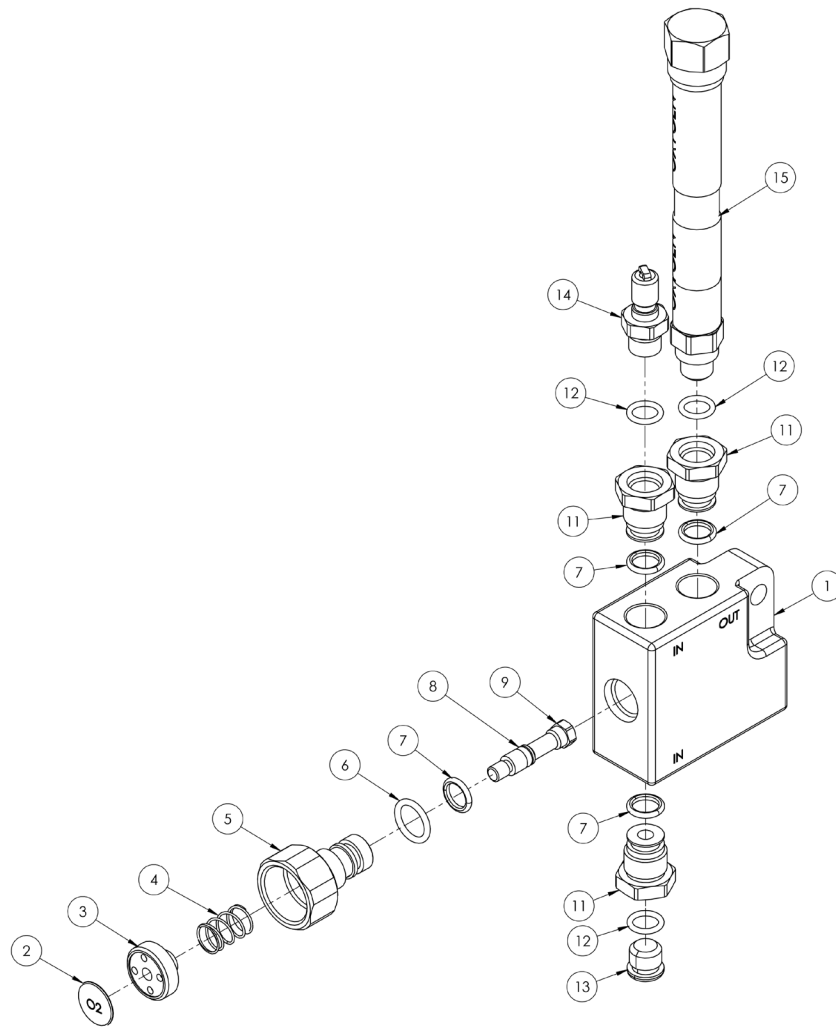


BOV

DIA.	P/N	DESCRIPTION	NOTES
1	29220.07.2	BOV HOUSING, BLK, HOLLIS	
2	25390	LP COUPLING	
3	6621	ORIFICE, ADJ	
4	25393	POPPET CHAMBER, LH	
5	4340	SEAT	
6	25391	POPPET	
7	5074	SPRING	
8	5117	POPPET WASHER	
9	4587	LEVER	
10	4335	SPACER	
11	24336	5/40 LOCK NUT	
12	25398.07	PLUG HOUSING, BOV, BLK	
13	6326	EXHAUST VALVE	
14	25397.07	EXHAUST COVER, BOV, BLK	
15	24787	CAP SCREW	*QTY: 2
17	29049	SCREW, LEVER	
18	2.010	O-RING	*QTY: 2
19	29053	LEVER, 2-POSITION, BOV	
20	2.127.50	O-RING	*QTY: 3
21	3.906	O-RING	
22	2.014	O-RING	
23	6979	DIAPHRAGM	
24	25388	VALVE HOLDER, EXHALATION	
25	25389	VALVE HOLDER, INHALATION	
26	2.029	O-RING	
27	2.028	O-RING	
28	28996	COVER RING, BOV	
29	27765	MUSHROOM VALVE	*QTY: 2
30	28997	PURGE COVER, BOV	
31	8616.07	MOUTHPIECE, BLK	
32	1978.07	TIE STRAP, 5 1/2", BK	
33	29136	O-RING	
34	28998	INNER RING, BOV	

**item sold individually, quantity represents how many are used*

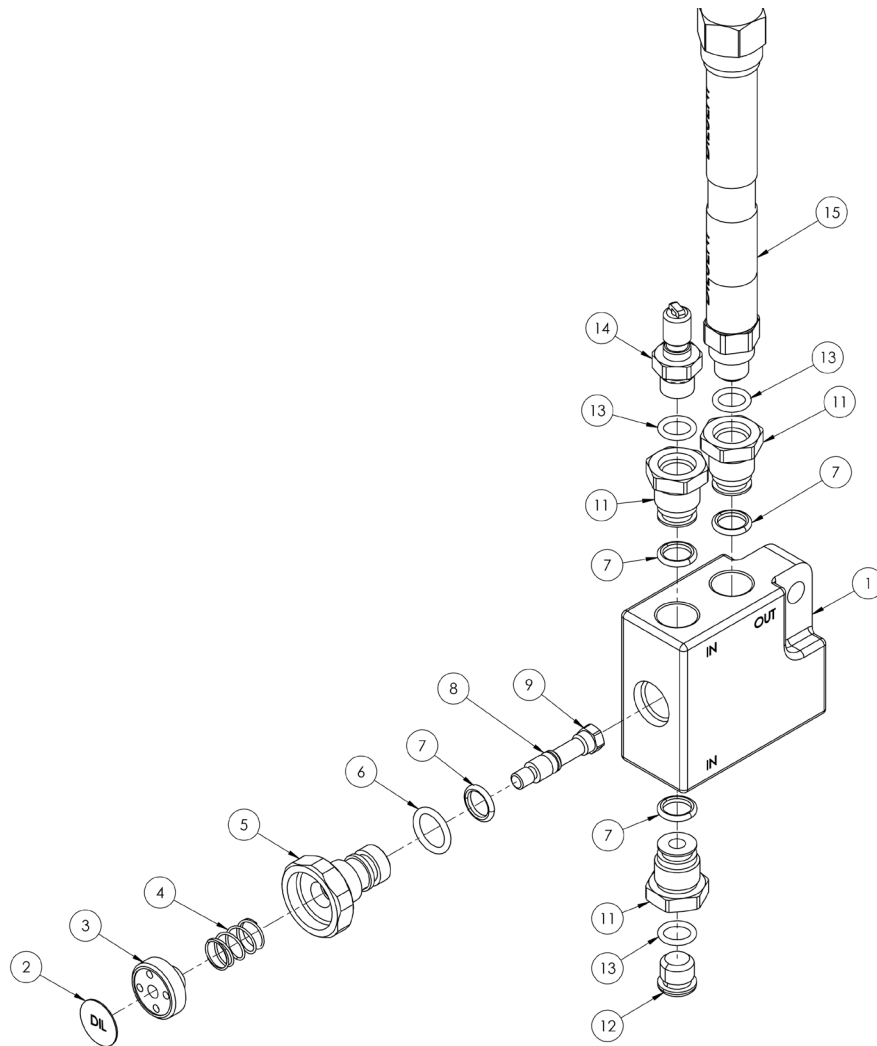
PRISM[™]2 PARTS & SERVICE GUIDE
O2 ADD VALVE ASSEMBLY, BMCL



DIA.	P/N	DESCRIPTION	NOTES
1	26214	MANIFOLD BLOCK O2-DIL	
2	8039	LABEL, O2 BUTTON	
3	29893	BUTTON VALVE	
4	8038	SPRING	
5	29891	VALVE BODY O2	
6	3.905	O-RING	
7	V2.011	O-RING	*QTY. 4
8	V2.006	O-RING	
9	29894	BUTTON SPOOL	
10	V2.010	O-RING	
11	26215	MANIFOLD INSERT	*QTY. 3
12	V3.903	O-RING	*QTY. 3
13	3463	PORT PLUG, LP	
14	26211	QD NIPPLE. ADV	
15	28125.14	LP HOSE, 14"	

**item sold individually, quantity represents how many are used*

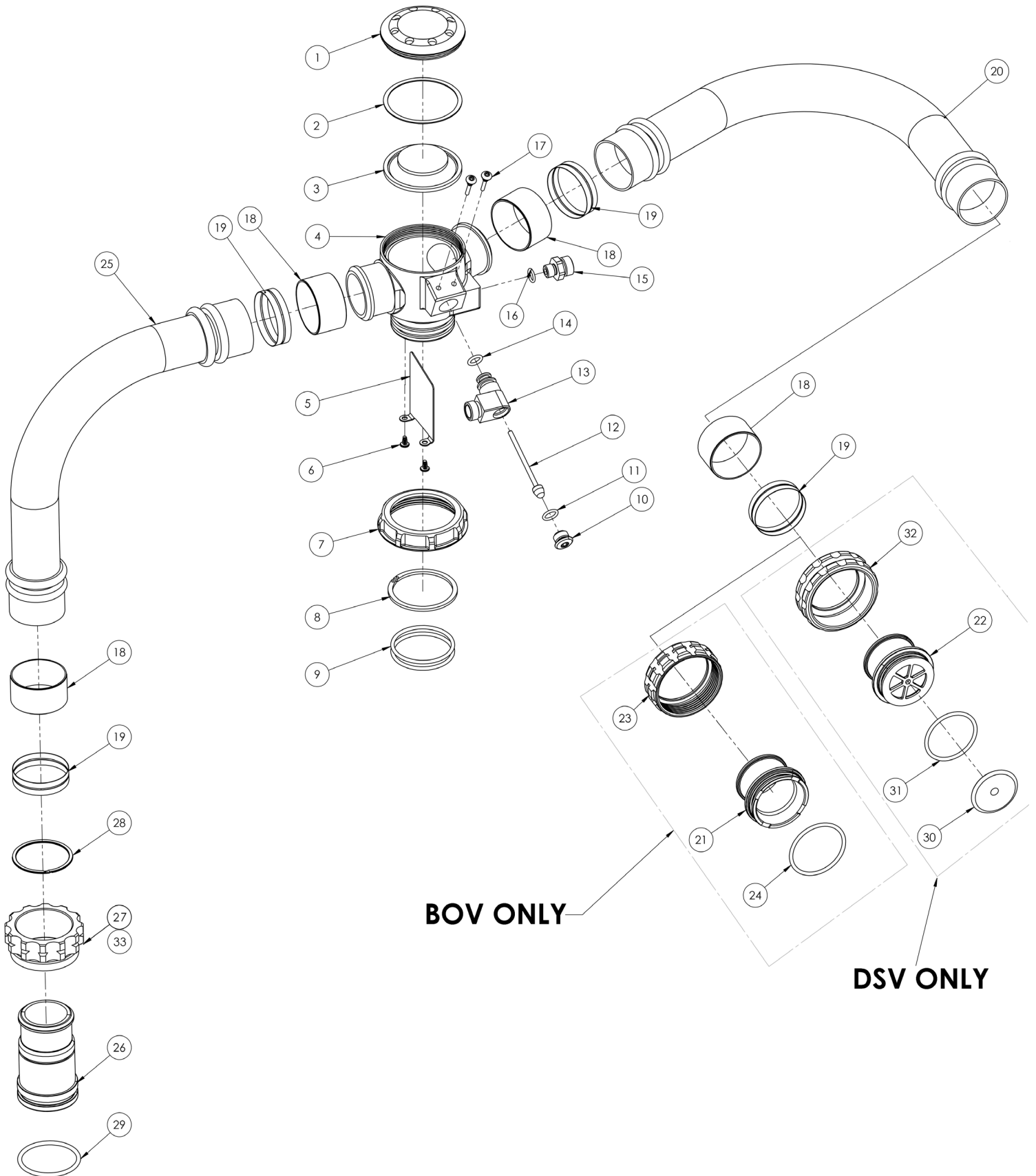
DILUENT ADD VALVE ASSEMBLY, BMCL



DIA.	P/N	DESCRIPTION	NOTES
1	26214	MANIFOLD BLOCK O2-DIL	
2	26217	LABEL, DIL BUTTON	
3	29893	BUTTON VALVE	
4	8038	SPRING	
5	29892	VALVE BODY DIL	
6	3.905	O-RING	
7	V2.011	O-RING	*QTY. 4
8	V2.006	O-RING	
9	29894	BUTTON SPOOL	
10	V2.010	O-RING	
11	26215	MANIFOLD INSERT	*QTY. 3
12	3463	PORT PLUG, LP	
13	V3.903	O-RING	*QTY. 3
14	26211	QD NIPPLE. ADV	
15	28125.14	LP HOSE, 14"	

**item sold individually, quantity represents how many are used*

INHALE TEE ASSEMBLY, BMCL



BOV ONLY

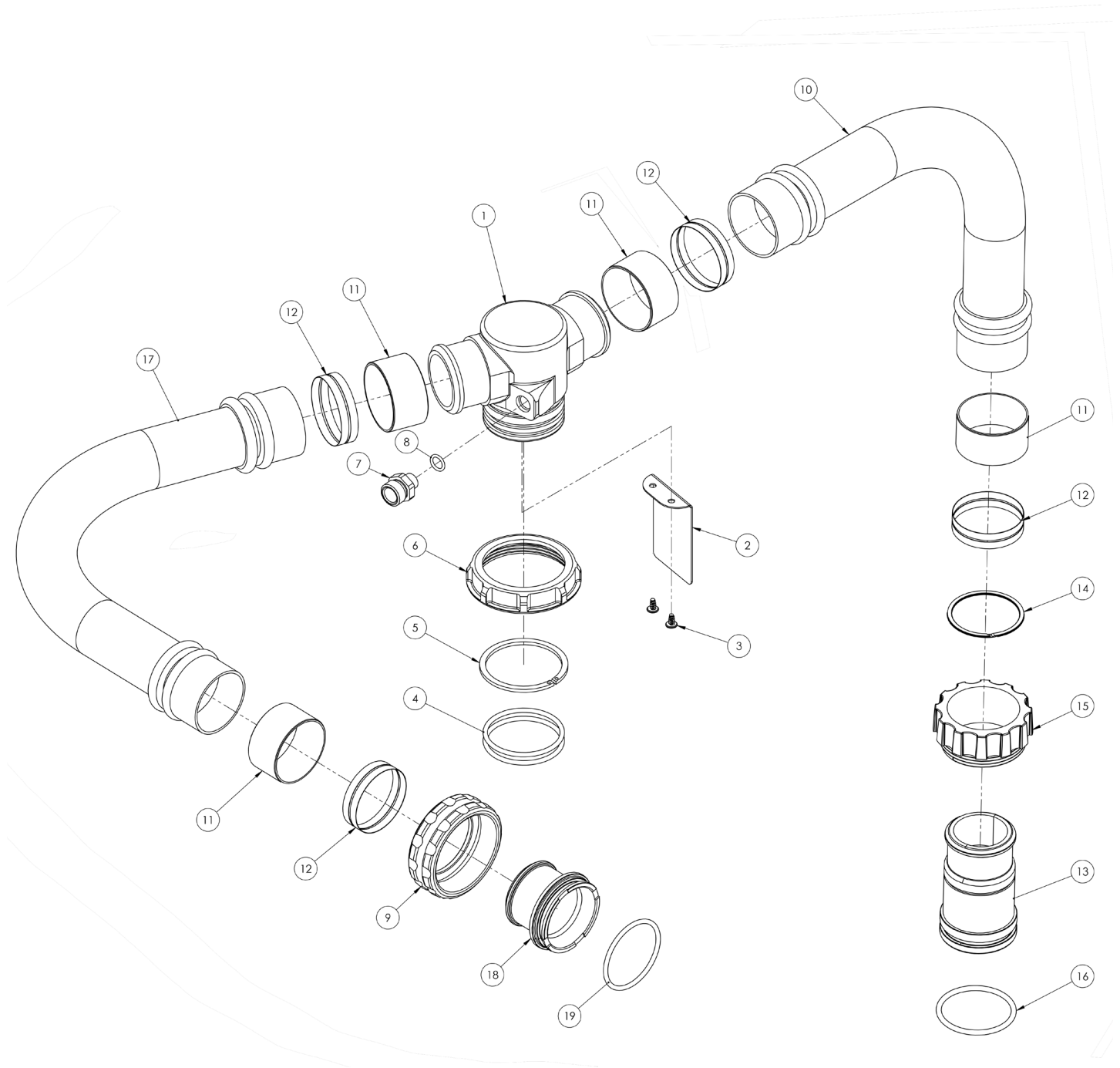
DSV ONLY

INHALE ADV TEE ASSEMBLY, BMCL

DIA.	P/N	DESCRIPTION	NOTES
1	26222	CAP INHALE TEE 2.3	
2	26223	WASHER, DIAPHRAGM	
3	6380	DIAPHRAGM	
4	26224	ADV INHALE TEE 2.3	
5	26225	DEFLECTOR INHALE 2.3	
6	26209	SCREW, DEFLECTOR	*QTY. 2
7	26202	RETAINING NUT	
8	26203	RETAINING RING	
9	2.131	O-RING	*QTY. 2
10	3462	PLUG, HP	
11	3.904	O-RING	
12	25414	ADV NEEDLE VALVE	
13	26226	ADV TILT BODY SWIVEL	
14	25463	O-RING	
15	27495	LP COUPLING	
16	3.903	O-RING	
17	26208	SCREW, ADV	*QTY. 2
18	28364.07	COVER, HOSE CLAMP	*QTY. 4
19	28333	CLAMP	*QTY. 8
20	28330.16	BREATHING HOSE, 16"	
21	27768	ADAPTER, HOSE OUTLET	
22	27764	HOLDER, INLET	
23	25399	NUT, HOSE MOUTHPIECE, BOV	
24	2.130	O-RING	
25	28330.11	BREATHING HOSE, 11"	
26	27770	ADAPTER, HOSE OUTLET	
27	27813	NUT, BREATHING HOSE, BLACK	NON-CE VERSION
28	28992	RETAINING RING	
29	29235	O-RING	
30	27765	MUSHROOM VALVE	
31	2.128	O-RING	
32	27766	NUT, MOUTHPIECE HOSE	
33	26216	NUT, BREATHING HOSE, REVERSE THREAD, WHITE	CE VERSION

**item sold individually, quantity represents how many are used*

EXHALE TEE ASSEMBLY, BMCL

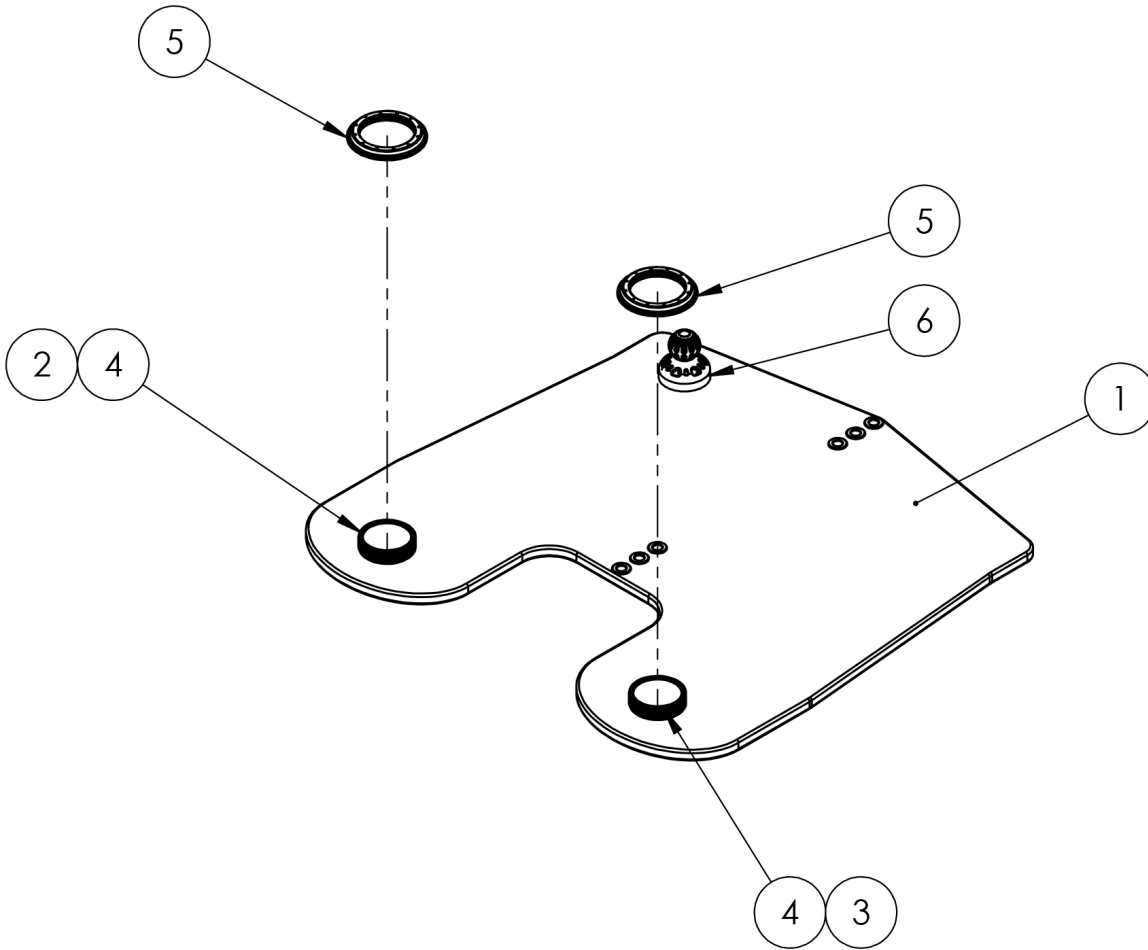


EXHALE TEE ASSEMBLY

DIA.	P/N	DESCRIPTION	NOTES
1	26213	EXHALE TEE	
2	26212	DEFLECTOR EXHALE	
3	26209	SCREW, DEFLECTOR	*QTY. 2
4	2.131	O-RING	*QTY. 2
5	26203	RETAINING RING	
6	26202	RETAINING NUT	
7	27495	LP COUPLING, SAE, PRISM2	
8	3.903	O-RING	
9	27766	NUT, MOUTHPIECE HOSE	
10	28330.11	BREATHING HOSE, 11"	
11	28364.07	COVER, HOSE CLAMP	*QTY. 4
12	28333	CLAMP	*QTY. 8
13	27770	ADAPTER, HOSE OUTLET	
14	28992	RETAINING RING	
15	27813	NUT, BREATHING HOSE	
16	29235	O-RING	
17	28330.16	BREATHING HOSE, 16"	
18	27768	ADAPTER, HOSE OUTLET	
19	2.130	O-RING	

**item sold individually, quantity represents how many are used*

BMCL BLADDER ASSEMBLY



DIA.	P/N	DESCRIPTION	NOTES
1	240.6507	BMCL OUTER BAG	
2	240.6510	BMCL INNER BLADDER, OPV AWAY FROM DIVER	
3	240.6508	BMCL INNER BLADDER, NO OPV	
4	26200	INLET BODY	*QTY. 2
5	26201	INLET NUT	*QTY. 2
6	26239	BMCL RELIEF VALVE ASSEMBLY	INCLUDES CE VERSION SPRING, PN 26245
N/S	26245	SPRING, BMCL OPV, LOW PRESSURE RELEASE	CE VERSION

**item sold individually, quantity represents how many are used*

SERVICE KITS

P/N	DESCRIPTION
220.9010	ANNUAL SERVICE KIT, PRISM2 W/ FMCL
220.9091	ANNUAL SERVICE KIT, PRISM2 w/ BMCL
220.9013	SERVICE KIT, SCRUBBER HEAD
220.9019	SERVICE KIT, BOV
220.9014	SERVICE KIT, DSV AND LOOP
220.9210	SERVICE KIT, PRISM2 1ST STAGE
220.9088	SERVICE KIT, TANK VALVE (DIL & O2)
220.9089	SERVICE KIT, FMCL MAV, OXYGEN
220.9090	SERVICE KIT, BMCL MAV, OXYGEN
220.9093	SERVICE KIT, BMCL MAV, DILUENT
220.9092	SERVICE KIT, BMCL T-PIECE AND LOOP
220.9003	SPARES KIT (FMCL AND BMCL)

ACCESSORIES

P/N	DESCRIPTION
240.6300	BOV UPGRADE KIT (INCLUDES BOV, BREATHING HOSE ADAPTERS, 46" LP HOSE)
240.6623.07	FX23BK, FABER 3L 3442 PSI CYLINDER, BLACK
240.6830	TANK VALVE, DILUENT
240.6840	TANK VALVE, OXYGEN
220.9009	PRISM 2 STAND
220.9000	O2 SENSOR, PRISM 2
220.9002	STERAMINE DISINFECTANT
220.9004	EXHALE COUNTERLUNG ASSEMBLY, SMALL (W/OUT VALVES)
220.9005	INHALE COUNTERLUNG ASSEMBLY, SMALL (W/OUT VALVES)
220.9006	INHALE COUNTERLUNG ASSEMBLY, EXTRA PORT (W/OUT VALVES)
28359	COUNTERLUNG YOKE, STANDARD, FMCL
28360	COUNTERLUNG YOKE, LONG, FMCL
28348	SIDE STRAP, COUNTERLUNG, FMCL
28349	LOWER STRAP, COUNTERLUNG, FMCL
240.4800.04	MOD-1, W/O POD
240.4800.05	MOD-1, HOLLIS BOV POD
240.4800.06	MOD-1, SCUBA POD
220.9022	RETAIL DISPLAY STAND